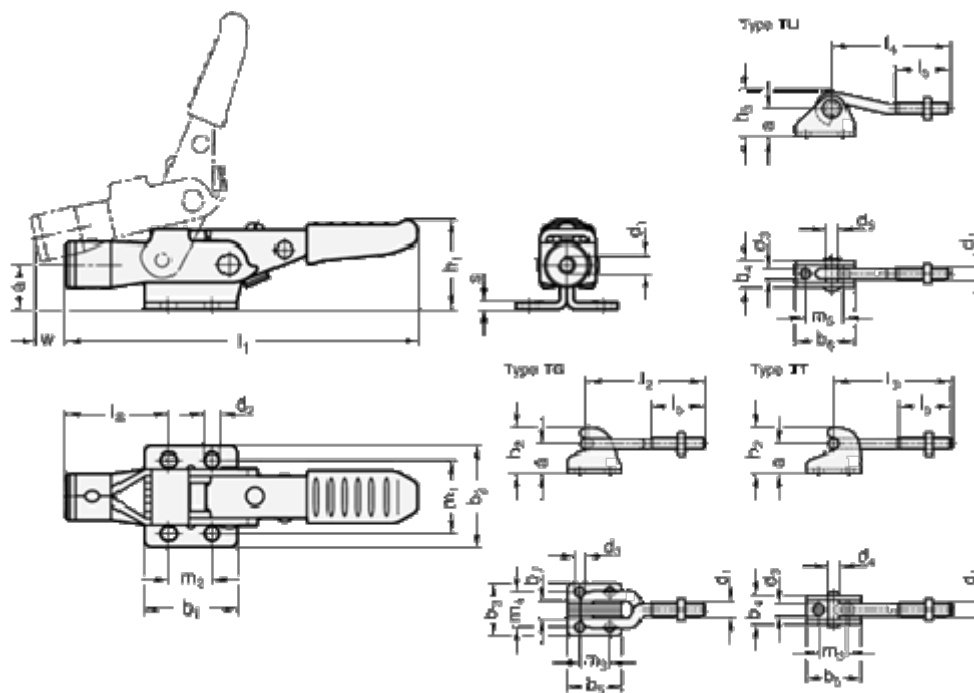


Article number: 20853320T5NI

Description: E+G Latch clamp with locking mechanism
GN 853-320-T5-NI

Measures



a = 19	d1 = M8	Holding force N = 4000	m2 = 19.0
b1 = 40	d2 = 6.7	l1 = 153	m3 = 19
b2 = 44	d3 = 6.7	l2 = 76.5	m4 = 22.3
b3 = 34	d4 = 7.0	l3 = 76.5	m5 = 25.4
b4 = 18	d5 = 8	l4 = 76.5	s = 3.0
b5 = 35	h1 = 38.5	l5 = 34	Size = 320
b6 = 38	h2 = 30.0	l6 = 44.5	w = 13
b7 = 10.0	h3 = 28.0	m1 = 32	